



# V-LFP12V100AH

With 100Ah of lithium power packed into the same sized case as a lead-acid 80Ah and a greater depth of discharge, it's no wonder that these batteries are becoming the first port of call to those with a tighter space to squeeze their battery into - and you're getting more bang for your buck with the higher power density in the same footprint too.

Also lighter than other alternatives, these Vision lithiums are perfect for applications where weight can be an issue, so could prevent a two man job in carrying the battery to a difficult-to-reach spot or stop the trusty old campervan from qualifying for a COF.

The V-LFP12V100AH batteries sport rugged cases that are fully sealed and maintenance free, concealing safer technology along with the added benefit of an easier recharge thanks to their superior recharge absorption.

Easy to parallel and add to a series and even easier to retrofit into applications with solar charge controllers, these batteries are simply all-rounders that will just keep on cranking.

Voltage Range	9.2 ~ 14.6
Cell	3.2V100Ah
Cell Series & Parallels	4S1P
Rated Voltage (V)	12.8
Rated Capacity (Ah)	100
Rated Energy (KWh)	1.28
Maximum Charge Current (A)	50
Maximum Discharge Current (A)	100
Pulse Current (A) (≤5s)	200
Recommended Discharge Voltage (V)	11.2
Recommended Charge Voltage (V)	13.6 ~ 13.8
Life Cycle (@25°C, 0.5°C/0.25°C, 80%DOD)	Approx. 2500
Short-circuit Current (<10ms)	Approx. 1200A
Dimension (WxDxH)	306 x 169 x 215mm
Total Weight (Kg)	Approx. 10.3
Internal Resistance Fully Charged @ 25°C	≤10mOhms
Thermal Management	Natural Cooling
Operating Temperature	0 ~ 50°C -20 ~ 65°C
Operating Humidity	60 ± 25%RH
System Series	≤6
System Parallels	≤6

Performance Data						
Time (min)	60	90	210	180	240	720
Constant Power (kW)	1.28	0.85	0.64	0.42	0.32	0.11
Constant Current (A)	100	66.6	50	33.3	25	8,30



0800 99 33 44

energysales@yhi.co.nz

yhienergy.co.nz

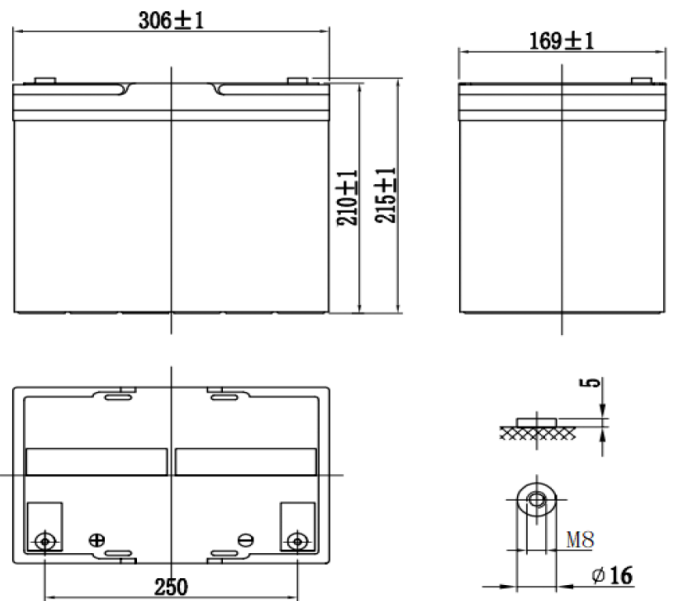
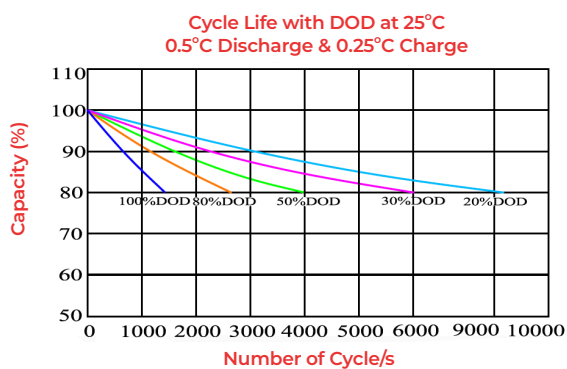
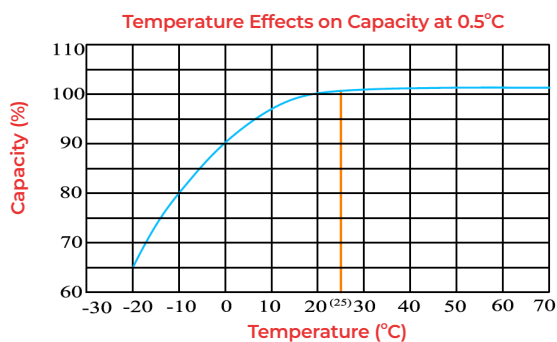
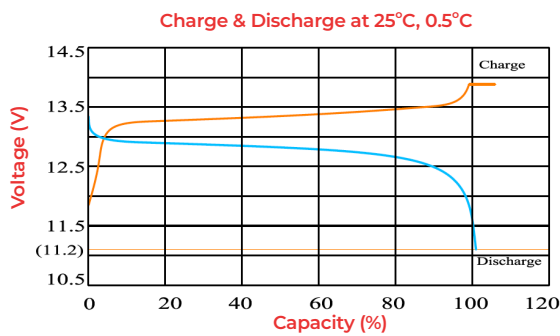
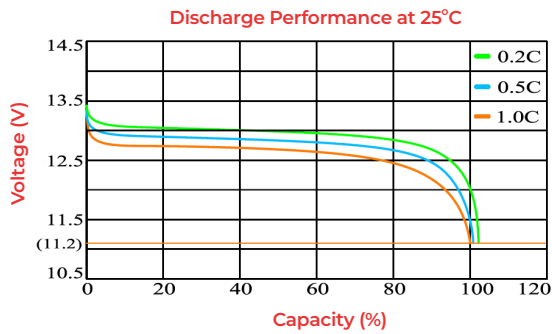
YHI Energy



# V-LFP12V100AH

## Characteristics Curve

## Size



### Performance Data

Case Material	ABS
Cell Type-Chemistry	Prismatic LiFePO4
Terminal Type	M8
IP Grade	IP65

### Performance Data

Recommended Charge Current	25A
Maximum Charge Current	50A
Maximum Continuous Discharge Current	100A
Recommended Charge Voltage	13.6V-13.8V
Max Charge Voltage	14.4V-14.6V
Overcharge Protection Voltage	14.8V-15.2V
Charge Mode	CC/CV
Discharge Cut-Off Voltage Range	9.2V-11.2V