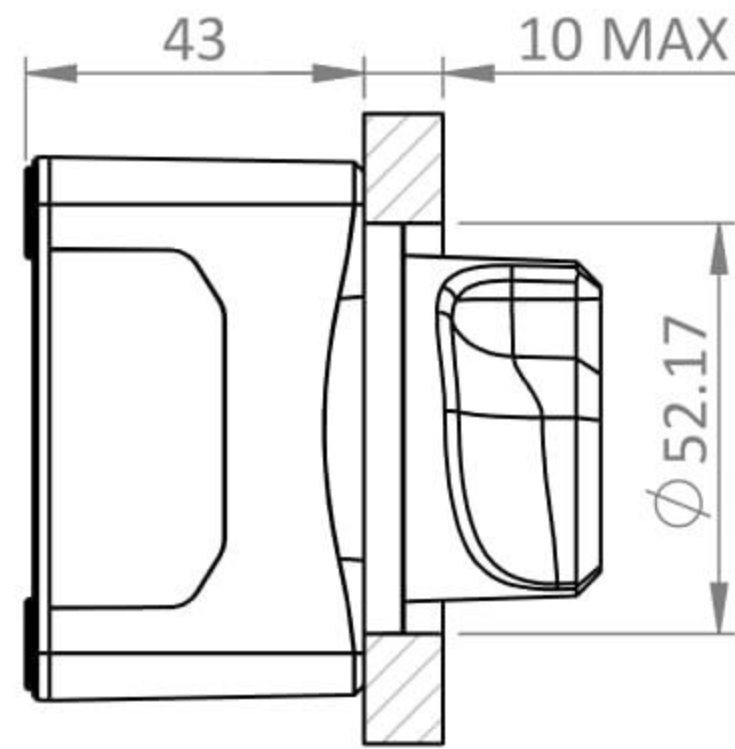
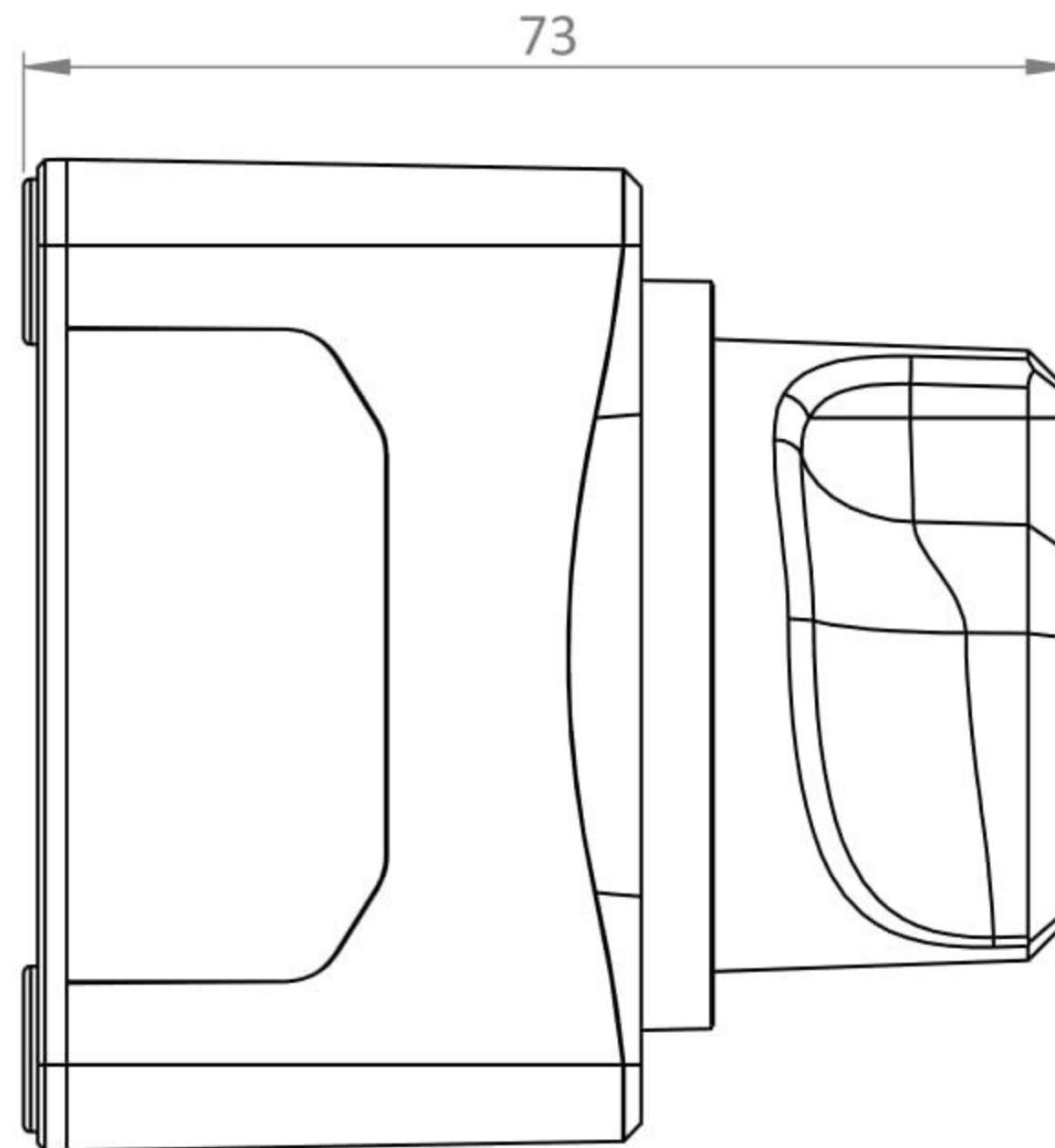
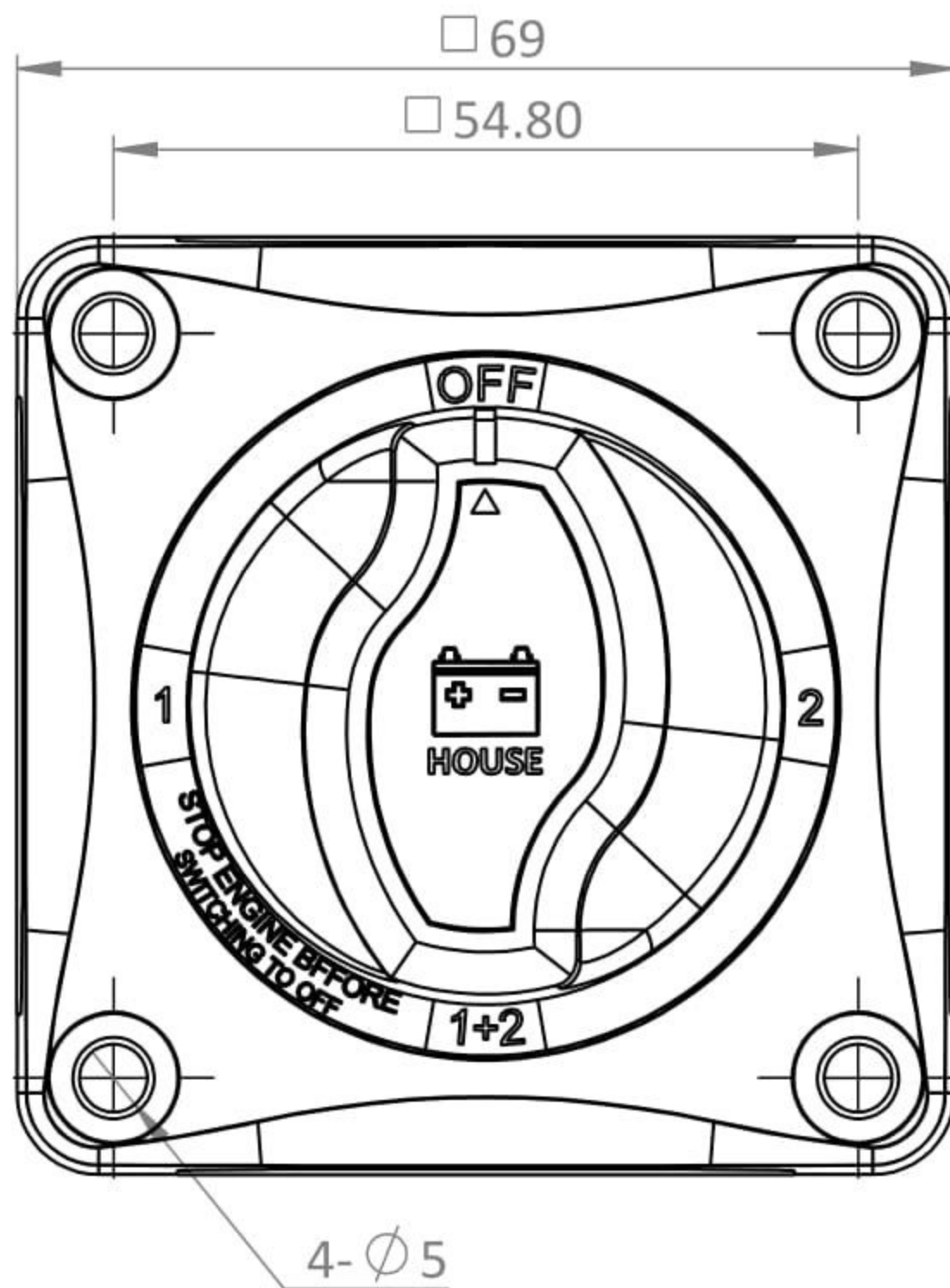
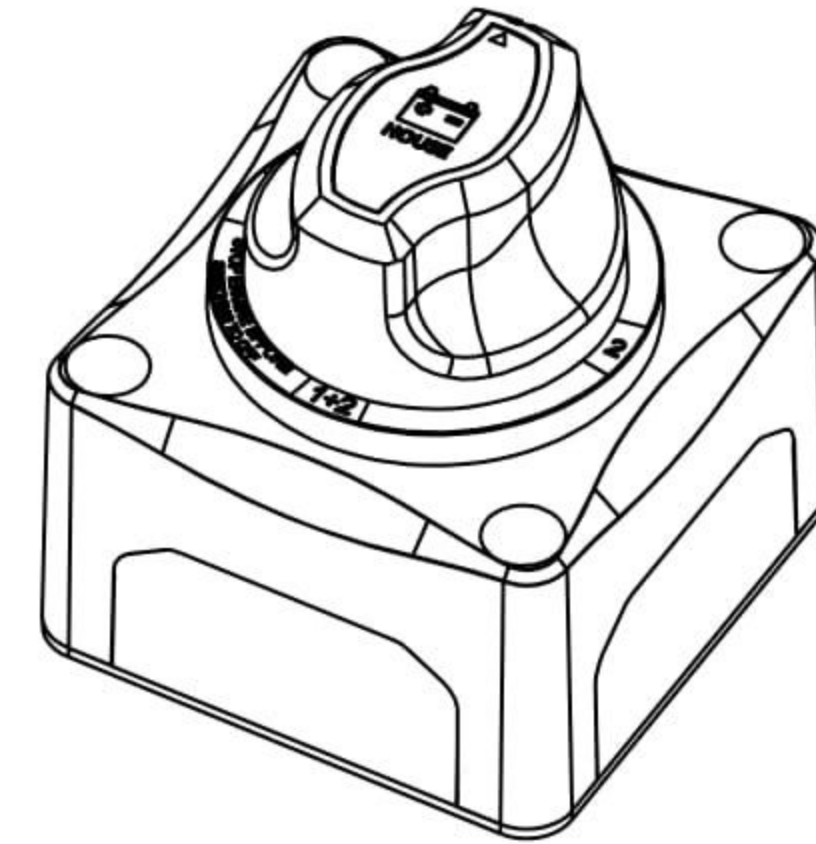


Surface Mount



Panel Mount



Features

- Unique ergonomic and aesthetic knob design
- Smallest battery switch with AFD (Alternator Field Disconnect) feature in market (BF442A)
- Robust Glass Fiber reinforced Nylon enclosure
- Removable windows for unobstructed wiring
- Surface or panel mount options provides flexibility when installing

Specifications

- Cranking Rating(10 Secs) | 1000A
- Intermittent Rating (5 mins) | 300A
- Continuous Rating | 200A
- Voltage Rating | 48V
- Terminal Studs | M8 (5/16")
- Notes | **CE**

					Item#	SF2250			Part#				Rev.	0	
Modify	Date	Revision			Approval	No.	Title			Part			Unit	m/m	
							Mat'l			Finish			Ratio	1:1	
Size	0.5-6	>6-30	>30-120	>120-400											
Tol	+/-0.05	+/-0.1	+/-0.15	+/-0.2	Auth	<i>Derek</i>	CHK	Derek	DWG	Angela	Date	2017.01.05	Proj.	3rd	