

CR1220

3V Lithium Battery
Swiss Made

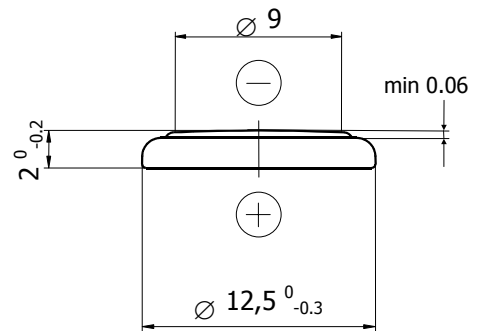
Technical Data Sheet

Specifications

Chemical System	Li / MnO ₂
Nominal Voltage	3 V
Rated Capacity	38 mAh
Standard Discharge Current	0,05 mA
Max. Cont. Discharge Current	1,0 mA
Average Weight	0,8 g
Temperature Range	-30 - +70 °C
Self Discharge at 23°C	< 1% / year

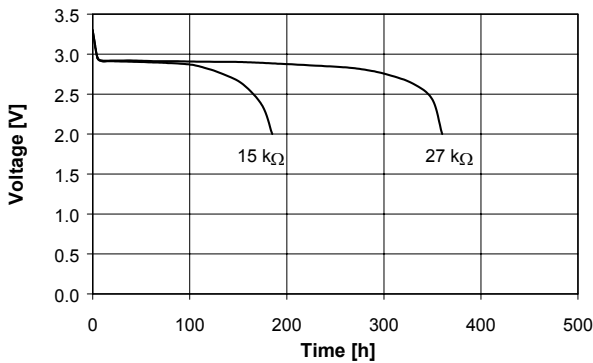
Dimensions

(According to IEC 60086)

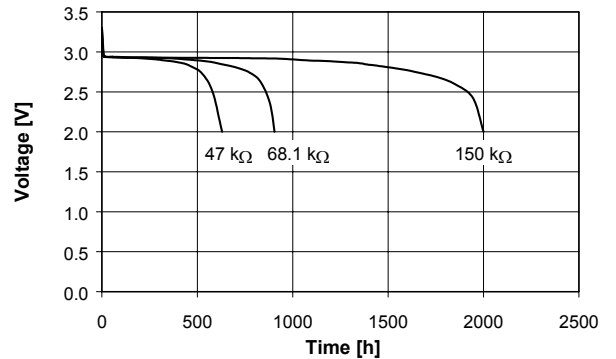


Performance

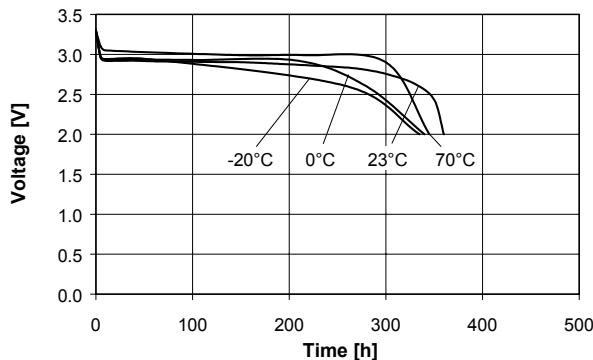
Discharge performance at 23°C



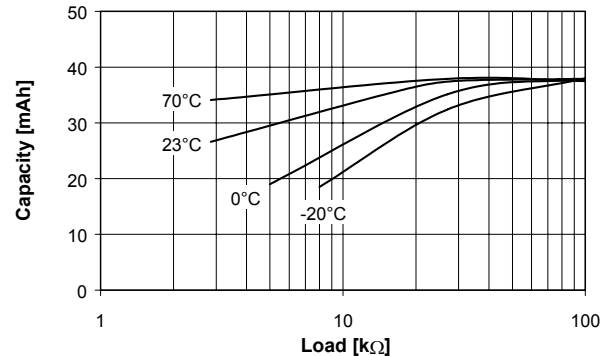
Discharge performance at 23°C



Temperature performance Load 27kΩ

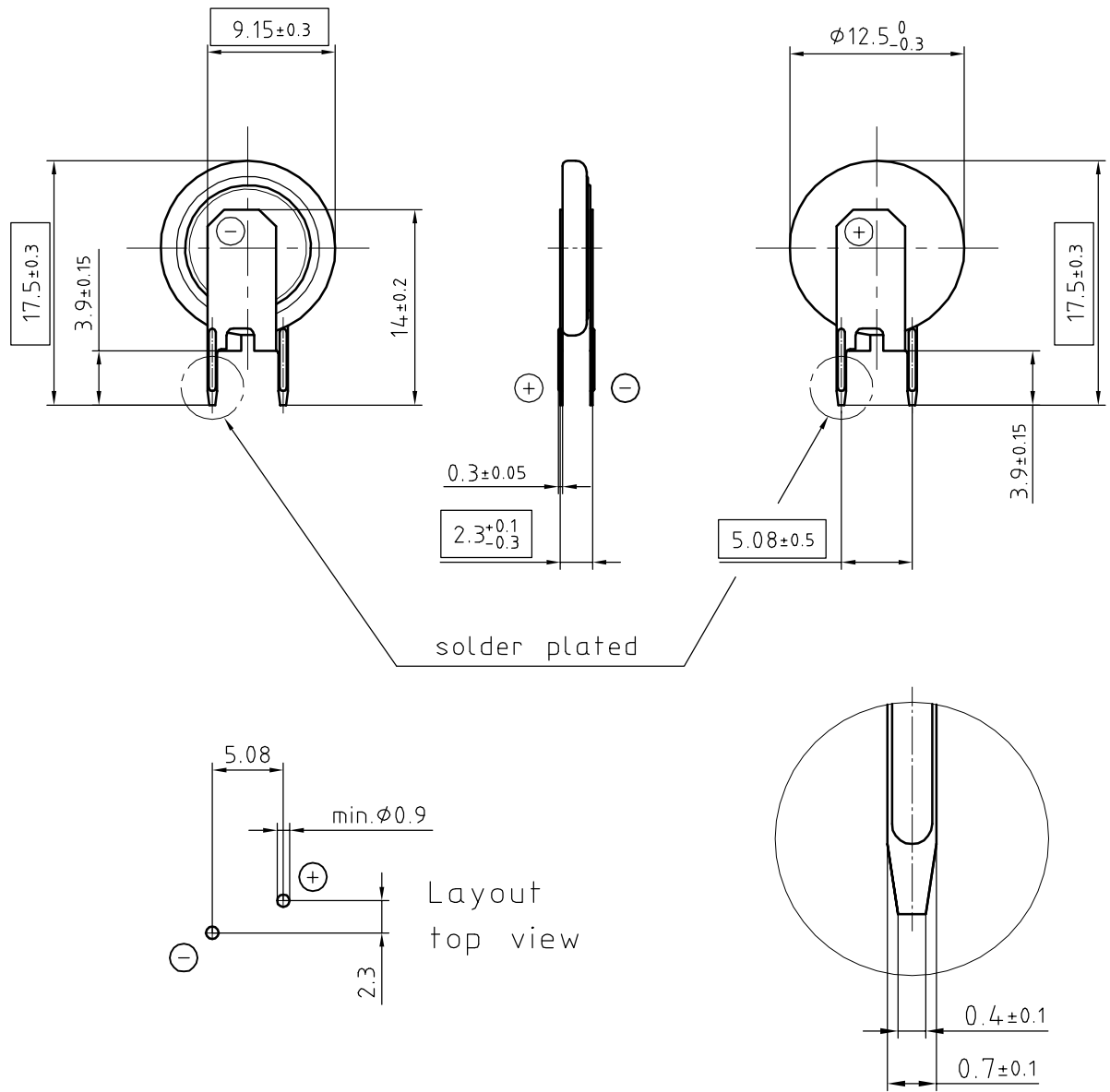


Cell capacity at various loads



Rev. CR1220.04 10/01

Art.-Number: 703934



Samples can deviate in the execution from the serie.

Tab material: Stainless steel
 Direction of tab corrugation could be to the inner side, or outer side
 All dimensions in mm.

All framed values will be used for dimension checking !

*The Products of Renata SA are neither designed nor authorized for use in certain areas of application of environment.
 For further details we refer to our webpage www.renata.com/downloads/restriction_of_use*

- Dimensions and tolerances can be specified only after the testing of the devices for the mass production definitely © 2018 by Renata SA Itingen/Switzerland

Rev.	①	27.08.19	PWu	Rev.	○			Customer's Approval					
Rev.	○			Rev.	○			Date					
Rev.	○			Rev.	○			Signature					
Title:							Scale	2:1	Drawn	18.05.18	PWu		
CR1220 MFR FV									Checked				
									Approved				
CH-4452 Itingen Switzerland							10.1753.4-1						