

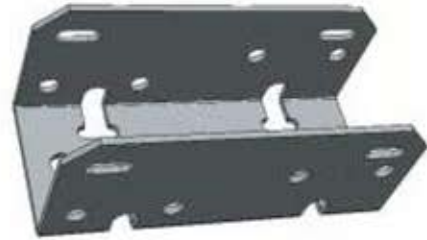
Code: RTL – POLESIDE-550

The Single Arm Pole Mount is a simple and universal pole mounting solution for small area solar photovoltaic (PV) needs. With its user-adjustable angle settings, the Single Arm Pole Mount can support installations in a wide range of locations. RTL – POLESIDE can be mounted to a flat surface or a pole and can have 1 x 20-40w panel attached.

Component List



Banding



Bracket



PV Module Clamps



Arm

Step 1. Mounting Arm to PV Module

- A. With the arm oriented as shown, insert 6mm bolt, washer and PV module clamp through each slot.

Place the flat washer, lock washer and hex nut on the end of the bolts and tighten loosely.

Some modules can be attached by bolting through the panel directly onto the arm.

- B. Repeat step 1, attaching the remaining clamp to the other slot on the arm.

- C. Lay the PV Module face-down on a protected flat surface.

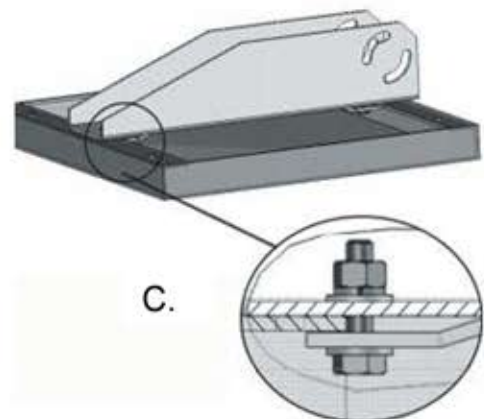
Centre the arm on the back of the panel as shown and position the clamps under the edges of the module's flange.

Make sure that the clamp bolts are resting against the module's flange before tightening.

Tighten the clamp bolts to 9.5nm of torque.



A.



C.

Step 2. Attaching Bracket to Pole

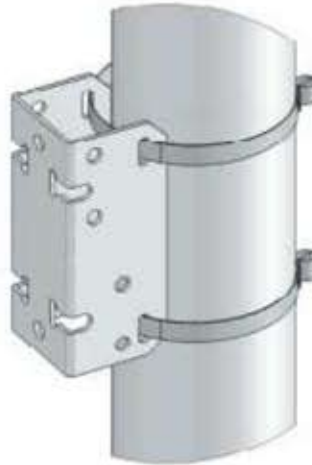
- A. Thread each banding through one of the sets of narrow centre holes and place the bracket on the pole as shown.

When placing the bracket on the pole, ensure that: The flat side of the bracket is away from the pole, and the end of the bracket with the arm mounting holes nearest to the edge is up, as in the illustration below.

This banding is only compatible with poles ranging 50mm to 100mm.

If mounting to a flat surface, such as a wall or square pole, the flat side of the bracket should be placed against the surface. Make certain to orient the holes away from the flat surface. Banding is not used in this case.

- B. Tighten the banding screws to 4nm of torque.



Step 3. Attaching Panel/Arm Assembly to Bracket

- A. Place the panel/arm assembly on the bracket as shown below.
- B. Insert 8mm bolt and flat washer from the inside out. Place a flat washer, lock washer, and hex nut on the outside. This orientation allows you to tighten the bolt with just one wrench.
- C. Adjust the tilt of the panel as desired, and tighten the bolts to 16nm of torque.

