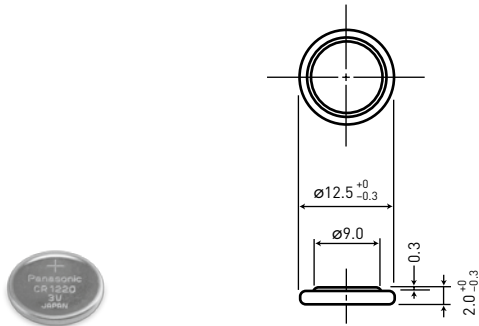


## 2 MANGANESE DIOXIDE LITHIUM BATTERIES (CR SERIES)

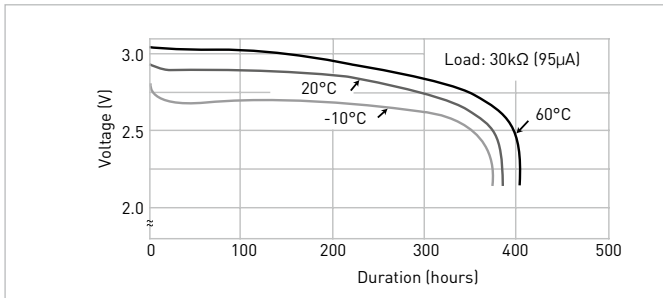
### CR-1220

#### DIMENSIONS (MM)

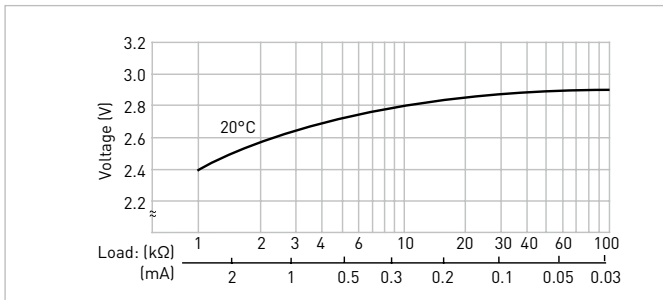


Model number	CR-1220
Nominal voltage (V)	3
Nominal capacity (mAh)	35
Diameter (mm)	12.5
Total height (mm)	2.0
Discharging temperature range (°C)	-30 to +60
Weight (g)	1.2

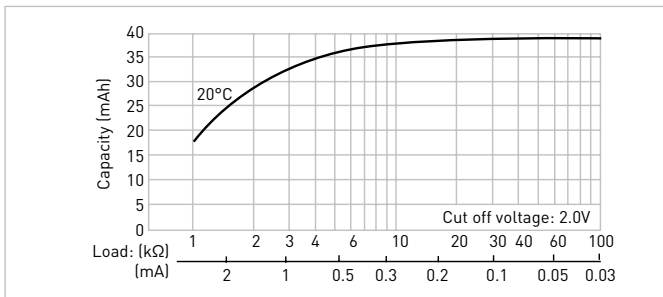
#### DISCHARGE TEMPERATURE CHARACTERISTICS



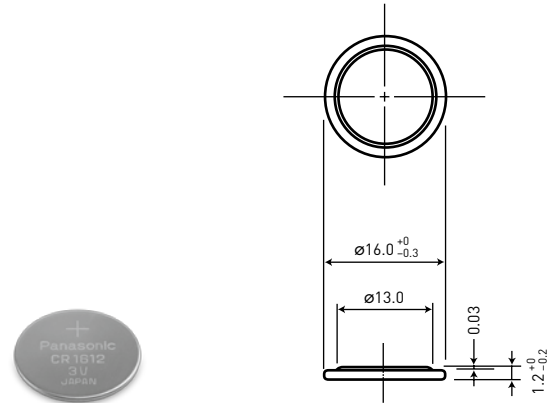
#### OPERATING VOLTAGE VS. DISCHARGE CURRENT\*1



#### CAPACITY VS. LOAD RESISTANCE

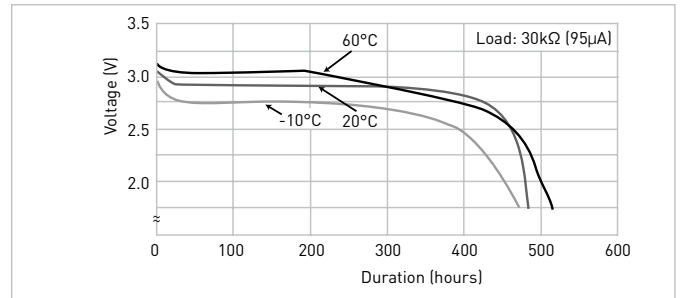


### CR-1612

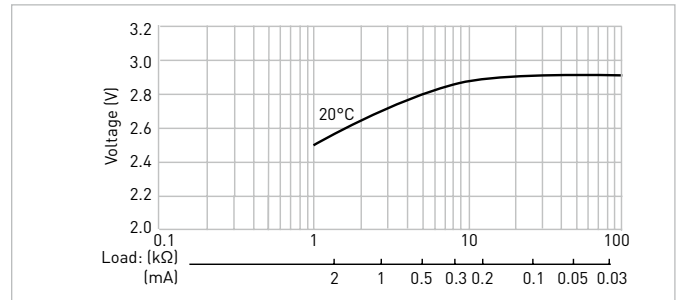


Model number	CR-1612
Nominal voltage (V)	3
Nominal capacity (mAh)	40
Diameter (mm)	16.0
Total height (mm)	1.2
Discharging temperature range (°C)	-30 to +60
Weight (g)	0.8

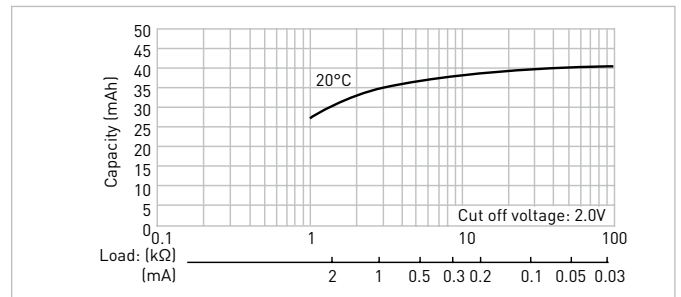
#### DISCHARGE TEMPERATURE CHARACTERISTICS



#### OPERATING VOLTAGE VS. DISCHARGE CURRENT\*1



#### CAPACITY VS. LOAD RESISTANCE

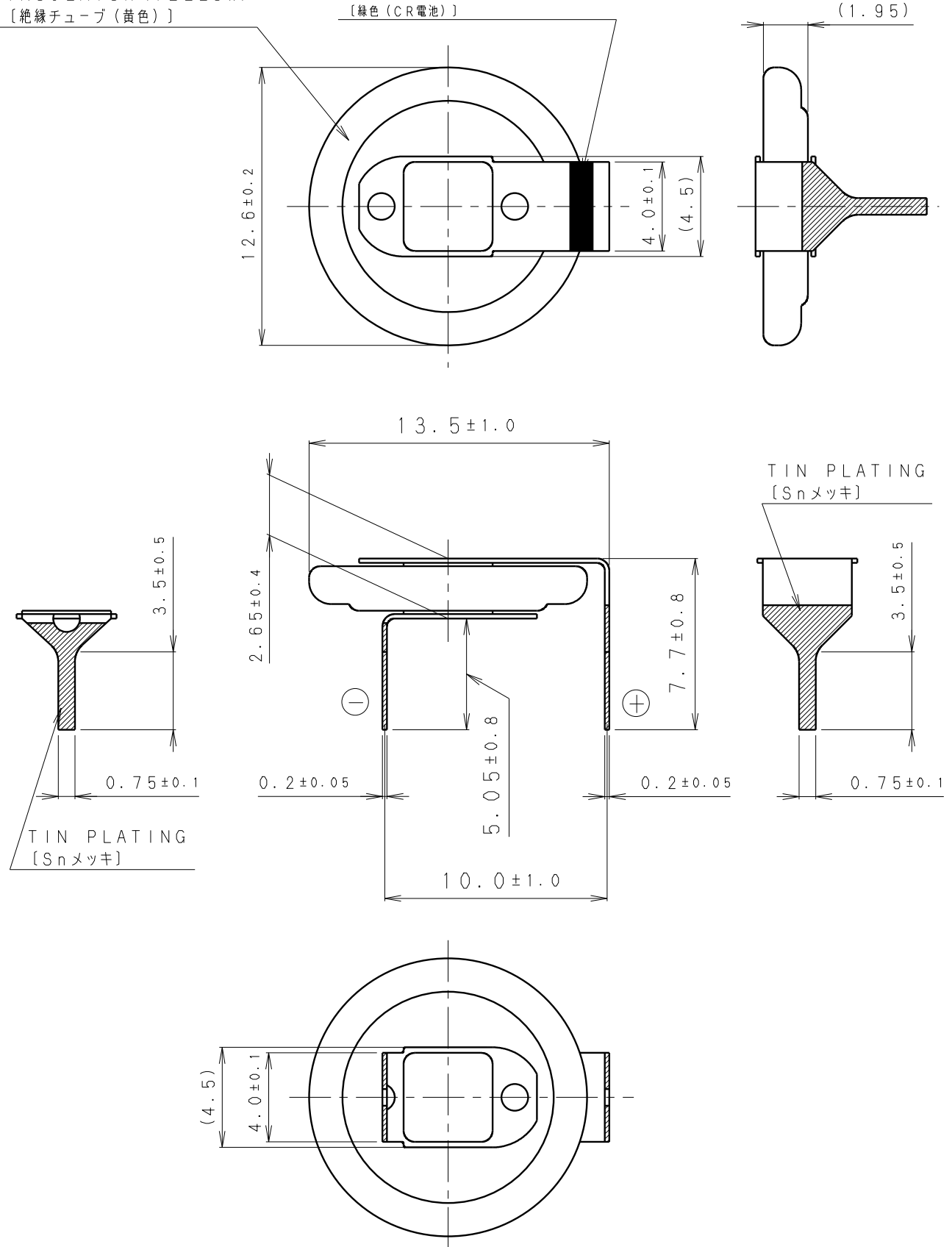


The data in this document are for descriptive purposes only and are not intended to make or imply any guarantee or warranty.



\*1 Voltage at 50% discharge depth.

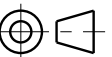
INSULATOR (YELLOW)  
 [絶縁チューブ (黄色)]

MARKING (GREEN) MEANS  
 "CR" BATTERY  
 [緑色 (CR電池)]



\* NOTE [注記]

- TAB PULLING STRENGTH OVER 19.6N  
 [端子溶接強度: 19.6N以上]
- TAB MATERIAL: STAINLESS STEEL WITH TIN PLATING   
 [端子材料: 基材 ステンレス/表面 部分Snメッキ 
- ( ): REFERENCE DIMENSION AND ANGLE  
 [ ( ) 寸法、角度は参考値]

PRODUCT NO.	CR-1220/HFN	SCALE	
		4:1	
DRAWING NO.	JEHA1Z	REV.	
		0	